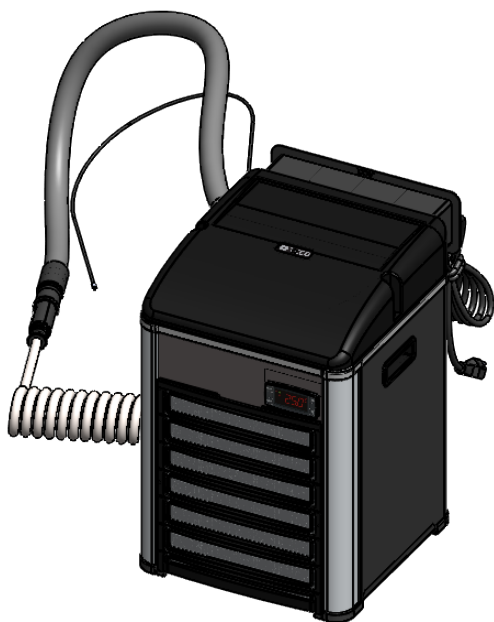
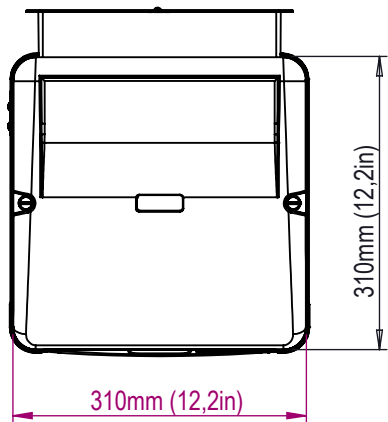
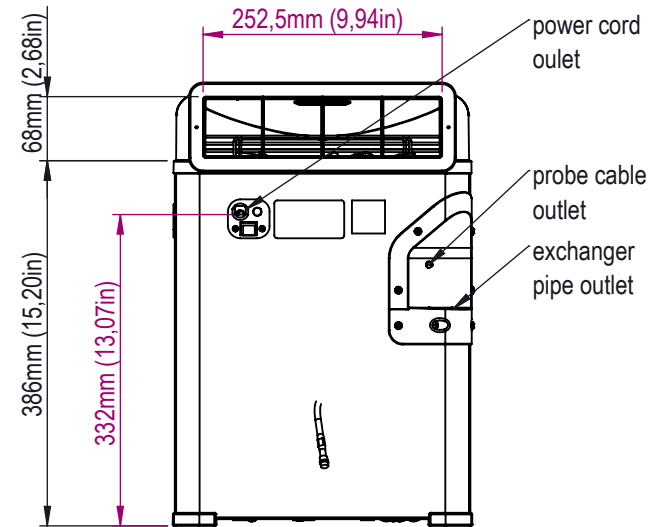
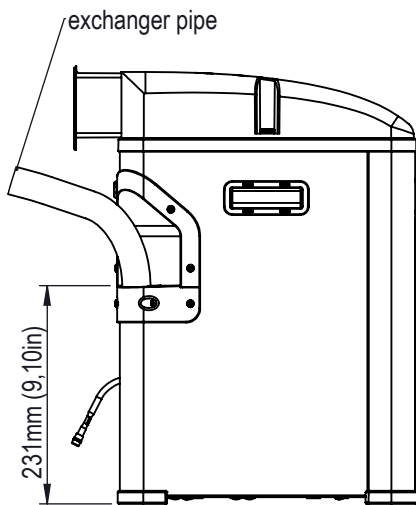
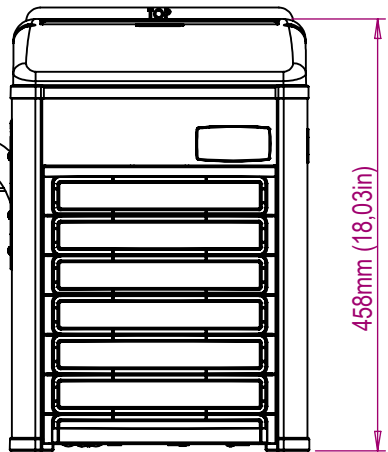
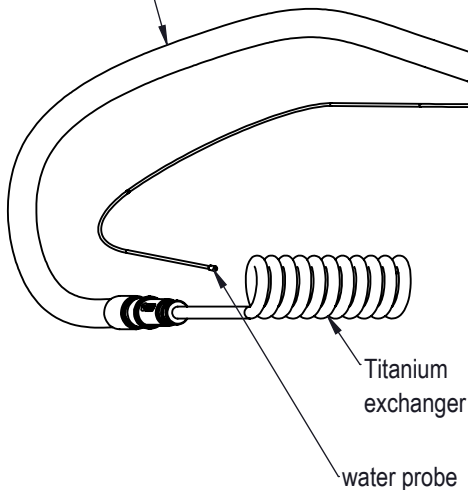


exchanger flexible pipe



Voltage-Frequency	115V - 60Hz	
Dimensions (exchanger excluded)	310mm x 310mm x 458mm (h)	12.2in x 12.2in x 18.03 in (h)
Weight	18,9 kg	41,7 lb
Min Water Flow	2400 l/h	634 Usgall/h
Air Flow	160 m³/h	5650 CFH
Climate class	ST	
Water Temperature Range	5°C - 30°C	41°F - 86°F
Unit of measure of temperature	°F (also °C available on request)	
Certification /Protection Grade	IPX4	
Refrigerant	R290	

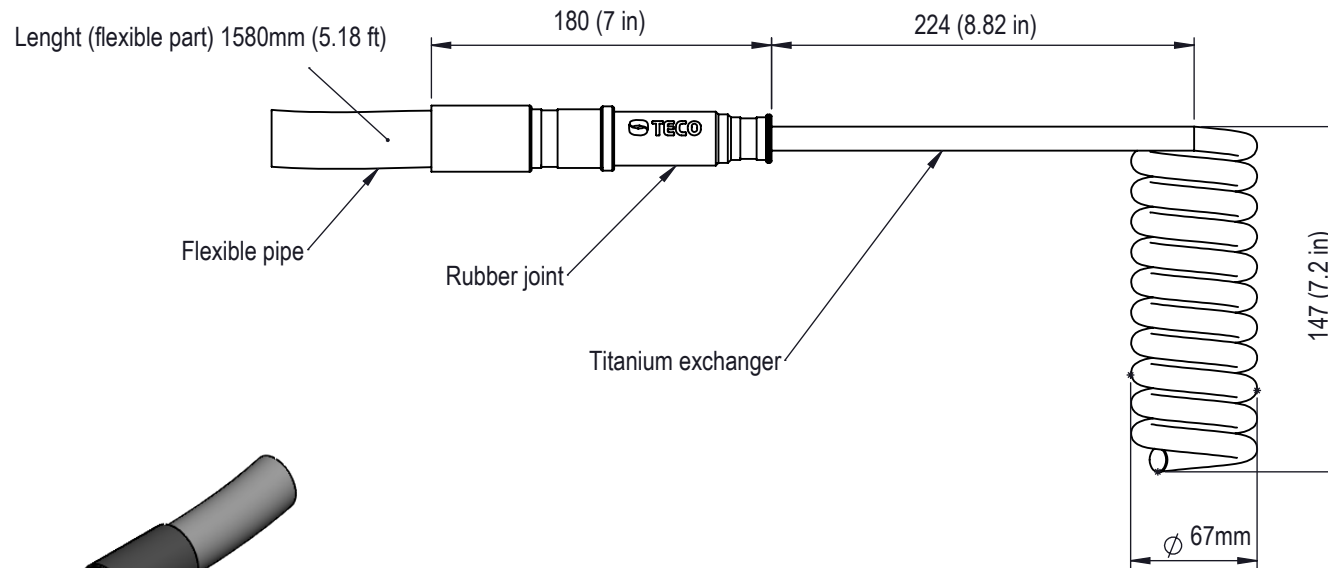
Modify:


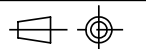
Drawer:

Material:	Drawing: DI 1000 115V 60Hz technical data - Page 1		
Thickness:	File: DI_1000_R290_115V-60Hz_technical_drawing		
Finishing:	Your.code:	Code: TKG#XX30CF21A	
Volume:	Tol.	Scale: 1:8	Date: 21/05/2026
Approved:	Via Gregorio Ricci Curbastro, 8 48124 Fornace Zaratini - RA - ITALY Tel. +39 0544 408333 Fax 280084 http://www.tecoonline.com		
	Drawer: Giulia		

AS BY LAW ENACTED WE RESERVE US THE PROPERTY OF THIS DOCUMENT WITH THE PROHIBITION OF REPRODUCE IT, SAVE IT INTO ARCHIVES SYSTEM, GIVE IT OR HOWEVER LENT IT TO THIRD PARTY WITHOUT OUR AUTHORIZATION. EVERY VIOLATION INVOLVES THE COMPENSATION FOR THE UNDERGONE DAMAGES. WE MAKE RESERVATIONS ABOUT ALL THE RIGHTS DERIVING FROM PATENTS OR MODELS

EXCHANGER DETAILS



Material:	Drawing: DI 1000 115V 60Hz technical data - Page 2		
Thickness:	File: DI_1000_R290_115V-60Hz_technical_drawing		
Finishing:	Your.code:	Code: TKG#XX30CF21A	
Volume:	Tol.	Scale: 1:4	Date: 21/05/2026
Approved:	Via Gregorio Ricci Curbastro, 8 48124 Fornace Zarattini - RA - ITALY Tel. +39 0544 408333 Fax 280084 http://www.tecoonline.com		
	Drawer: Giulia		