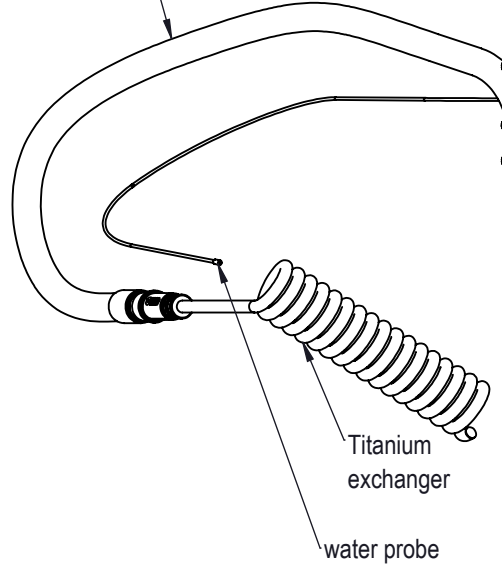
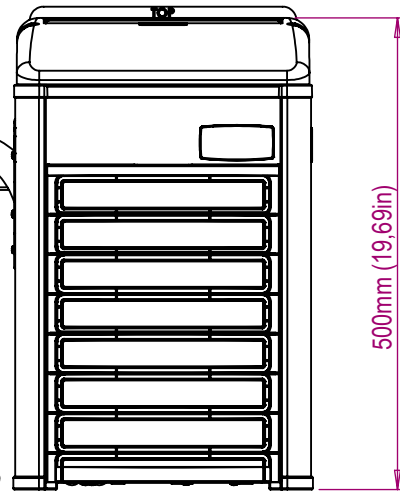


exchanger flexible pipe

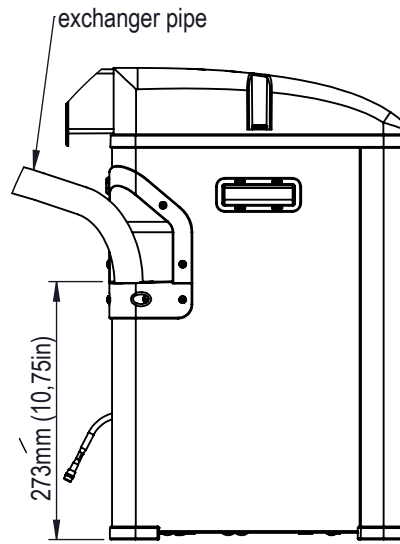


Titanium exchanger

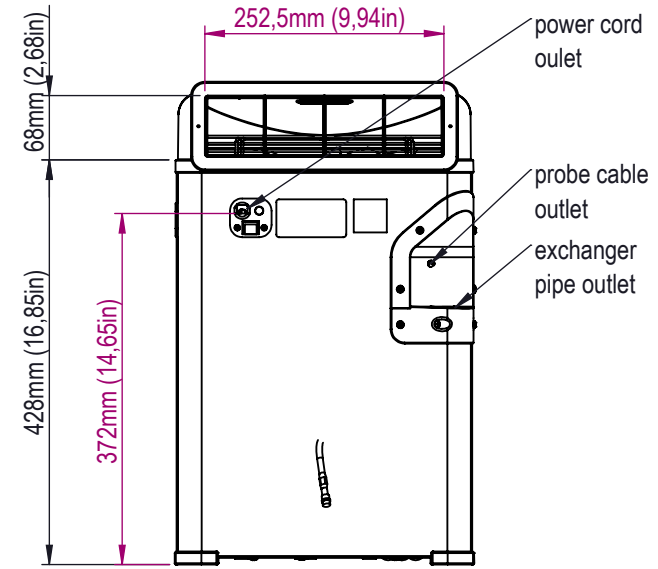
water probe



500mm (19.69in)



273mm (10.75in)



68mm (2.68in)

428mm (16.85in)

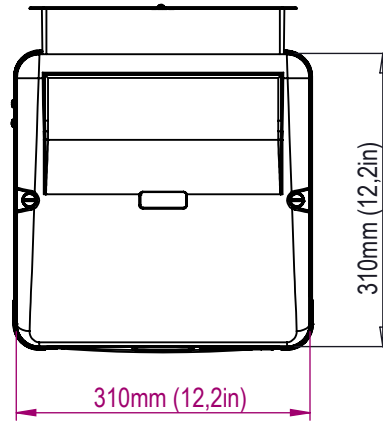
372mm (14.65in)

252,5mm (9,94in)

power cord outlet

probe cable outlet

exchanger pipe outlet



310mm (12.2in)

310mm (12.2in)



Voltage-Frequency	115V - 60Hz	
Dimensions (exchanger excluded)	310mm x 310mm x 500mm (h)	12.2in x 12.2in x 19.69 in (h)
Weight	20,3 kg	44,8 lb
Min Water Flow	2400 l/h	634 Usgal/h
Air Flow	215 m³/h	7600 CFH
Climate class	ST	
Water Temperature Range	5°C - 30°C	41°F - 86°F
Unit of measure of temperature	°F (also °C available on request)	
Certification /Protection Grade	IPX4	
Refrigerant	R290	

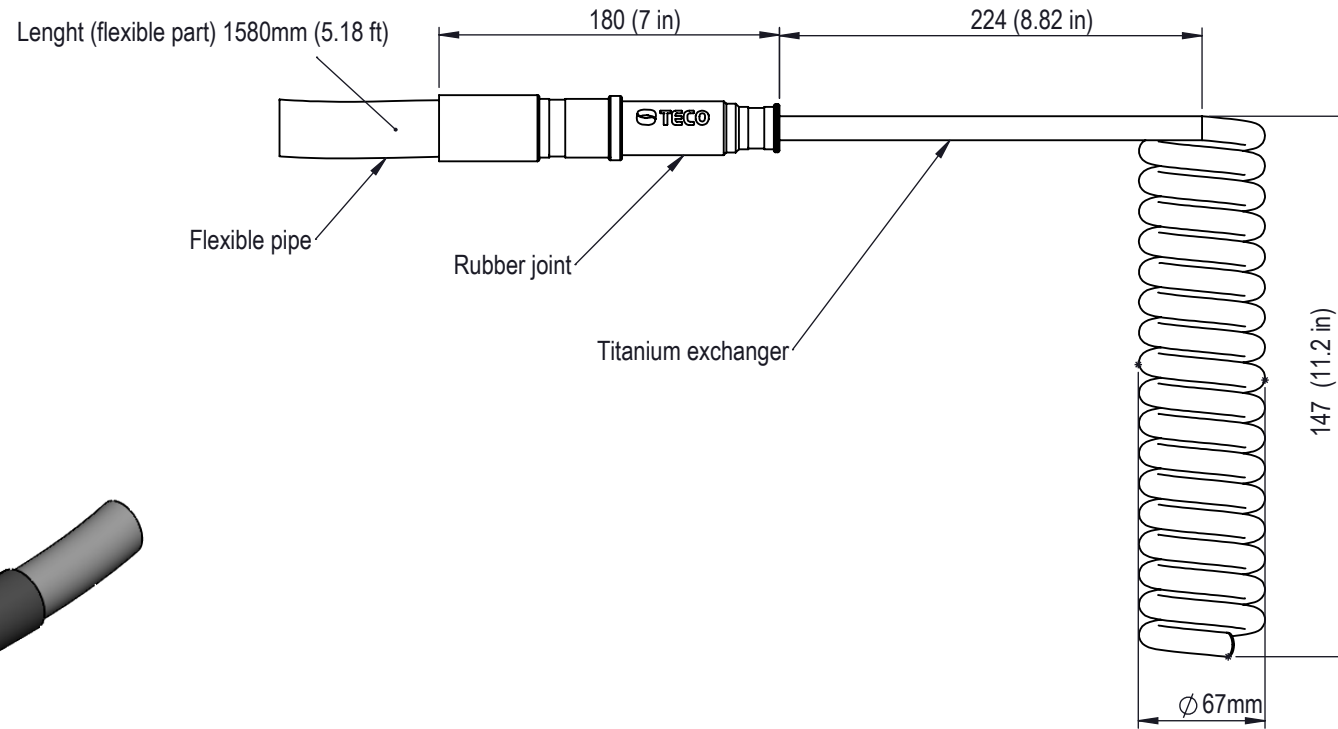
Modify:


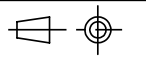
Drawer:

Material:	Drawing: DI 2000 115V 60Hz technical data - Page 1		
Thickness:	File: DI_2000_R290_115V-60Hz_technical_drawing		
Finishing:	Your.code:	Code: TKG#XX40CF21A	
Volume:	Tol.	Scale: 1:8	Date: 21/05/2026
Approved:	Via Gregorio Ricci Curbastro, 8 48124 Fornace Zaratini - RA - ITALY Tel. +39 0544 408333 Fax 280084 http://www.tecoonline.com		
	Drawer: Giulia		

AS BY LAW ENACTED WE RESERVE US THE PROPERTY OF THIS DOCUMENT WITH THE PROHIBITION OF REPRODUCE IT, SAVE IT INTO ARCHIVES SYSTEM, GIVE IT OR HOWEVER LENT IT TO THIRD PARTY WITHOUT OUR AUTHORIZATION. EVERY VIOLATION INVOLVES THE COMPENSATION FOR THE UNDERGONE DAMAGES. WE MAKE RESERVATIONS ABOUT ALL THE RIGHTS DERIVING FROM PATENTS OR MODELS

EXCHANGER DETAILS



Material:	Drawing: DI 2000 115V 60Hz technical data - Page 2		
Thickness:	File: DI_2000_R290_115V-60Hz_technical_drawing		
Finishing:	Your.code:	Code: TKG#XX40CF21A	
Volume:	Tol.	Scale: 1:4	Date: 21/05/2026
Approved:	Via Gregorio Ricci Carbastro, 8 48124 Fornace Zarattini - RA - ITALY Tel. +39 0544 408333 Fax 280084 http://www.tecoonline.com		
	Drawer: Giulia		

AS BY LAW ENACTED WE RESERVE US THE PROPERTY OF THIS DOCUMENT WITH THE PROHIBITION OF REPRODUCE IT, SAVE IT INTO ARCHIVES SYSTEM, GIVE IT OR HOWEVER LENT IT TO THIRD PARTY WITHOUT OUR AUTHORIZATION. EVERY VIOLATION INVOLVES THE COMPENSATION FOR THE UNDERGONE DAMAGES. WE MAKE RESERVATIONS ABOUT ALL THE RIGHTS DERIVING FROM PATENTS OR MODELS

Modify:
Drawer: